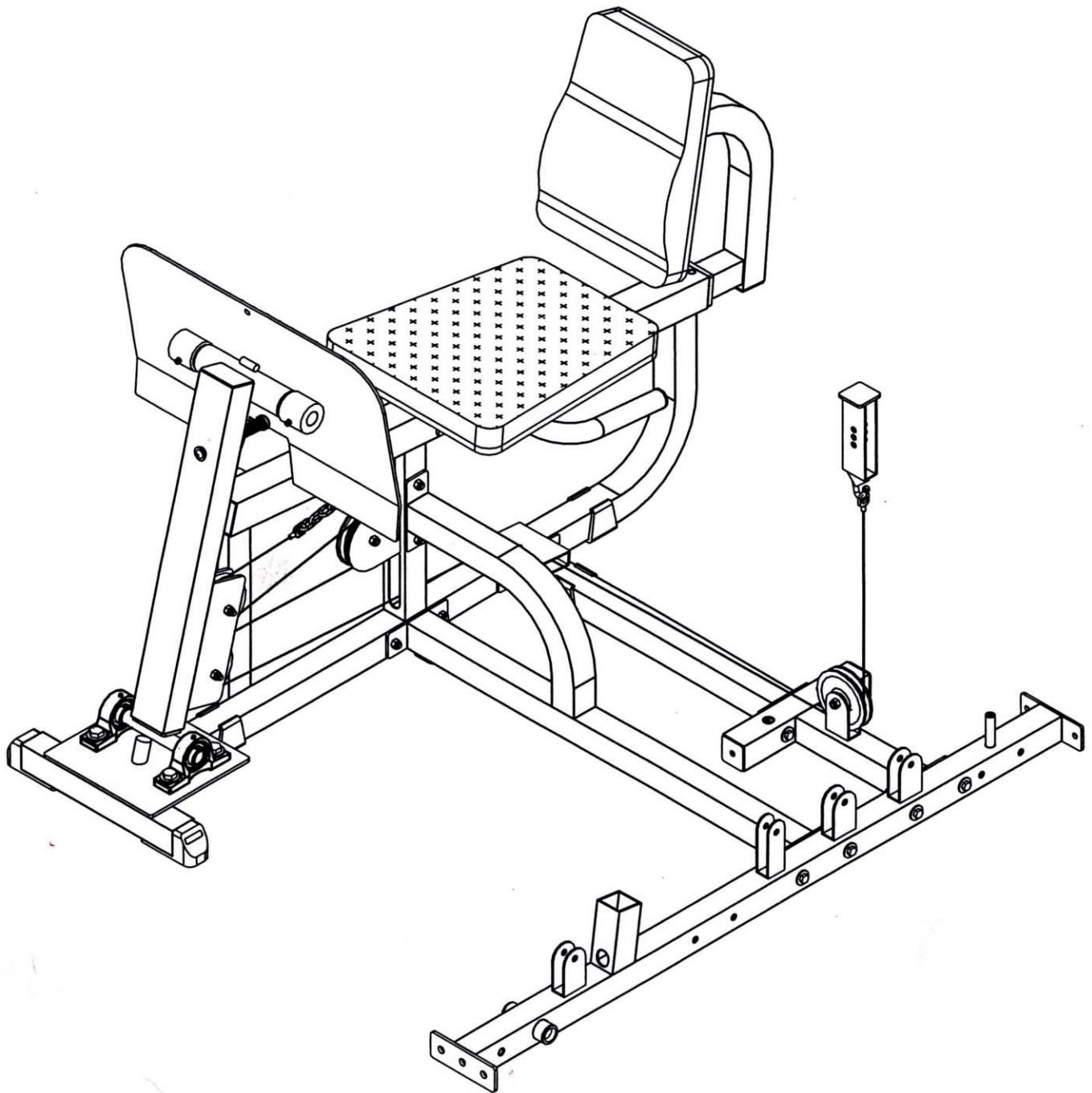


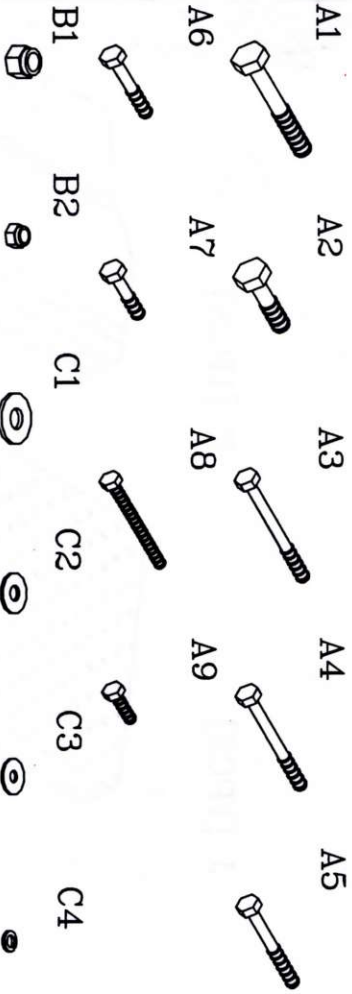
LP-20.2



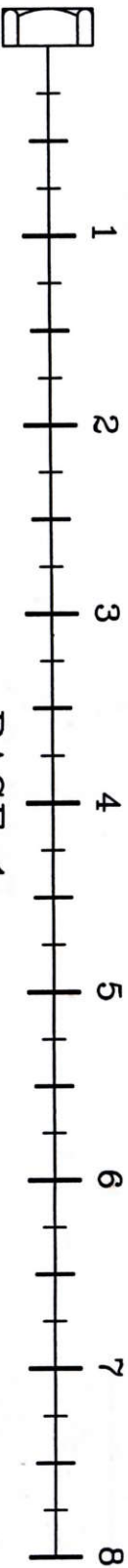
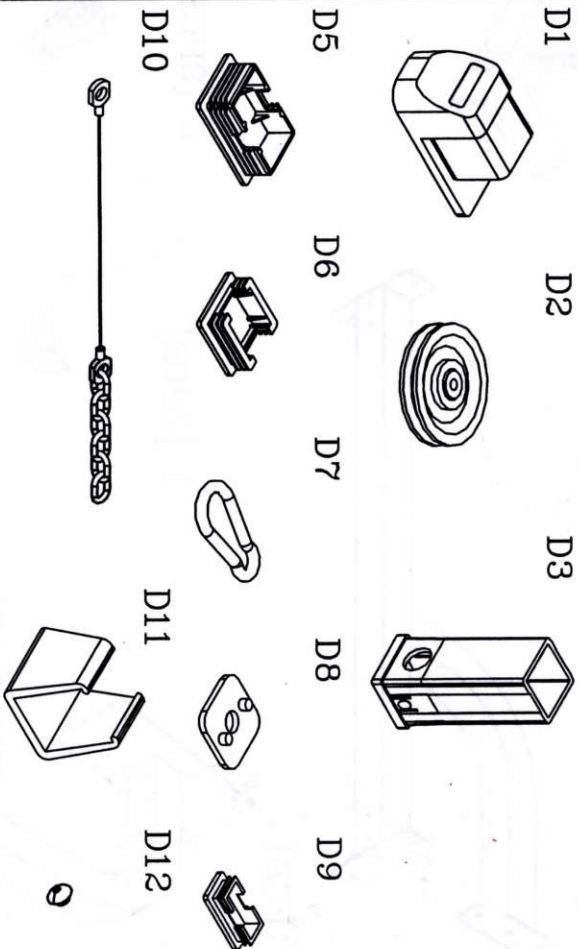
VERSION 0903

LP-20.2 HARDWARE ILLUSTRATION SHEET

Part No.	Description	Qty.
A1.	1/2"x3 1/4" HEX HEAD BOLT	[2PCS]
A2.	1/2"x1 3/4" HEX HEAD BOLT	[4PCS]
A3.	3/8"x3 1/2" HEX HEAD BOLT	[1PCS]
A4.	3/8"x3 1/4" HEX HEAD BOLT	[2PCS]
A5.	3/8"x2 3/4" HEX HEAD BOLT	[10PCS]
A6.	3/8"x2" HEX HEAD BOLT	[2PCS]
A7.	3/8"x1 1/2" HEX HEAD BOLT	[2PCS]
A8.	5/16"x3 1/4" HEX HEAD BOLT	[1PCS]
A9.	5/16"x1" HEX HEAD BOLT	[6PCS]
B1.	1/2" NYLON LOCK NUT	[6PCS]
B2.	3/8" NYLON LOCK NUT	[17PCS]
C1.	1/2" (I.D.)WASHER	[4PCS]
C2.	3/8" (I.D.)WASHER	[12PCS]
C3.	5/16" (I.D.)WASHER	[7PCS]
C4.	5/16" SPRING WASHER	[7PCS]

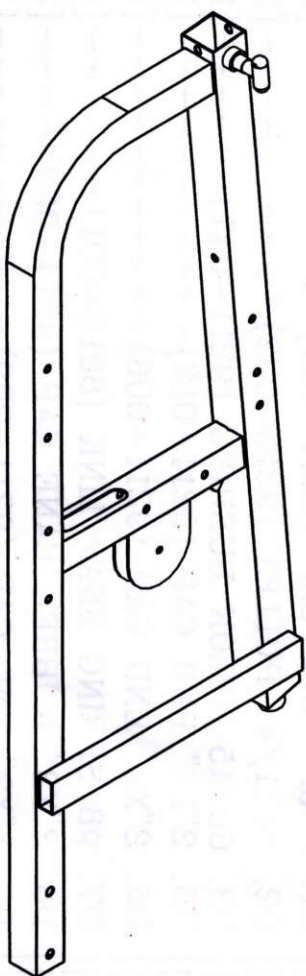


Part No.	Description	Qty.
D1.	2"x2" FOOT CAP (9211-024)	[2PCS]
D2.	ø4 1/4" PULLEY (9213-002)	[5PCS]
D3.	60X45 NYLON BUSHING (9211-047)	[1PCS]
D5.	2"x3" END CAP (9211-012)	[1PCS]
D6.	2"x2" END CAP (9211-006)	[1PCS]
D7.	ø8 SPRING SNAP LINK (8810-001)	[1PCS]
D8.	2"x2" RUBBER CANE CAP (9214-002)	[2PCS]
D9.	1"x2" END CAP (9211-009)	[1PCS]
D10.	4365mm STEEL CABLE	[1PCS]
D11.	2"x2" RUBBER DOUNT (9212-010)	[3PCS]
D12.	ø1" ROUND END CAP (9260-021)	[2PCS]

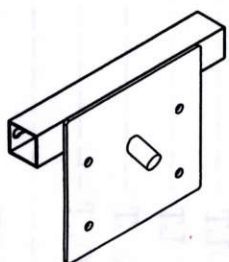


LP-20.2 PARTS ILLUSTRATION SHEET

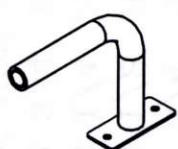
A [1PCS]



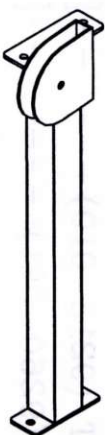
E [1PCS]



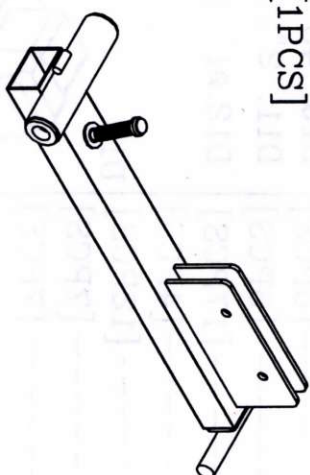
F [2PCS]



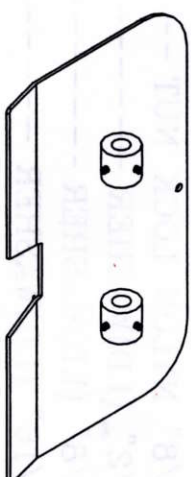
B [1PCS]



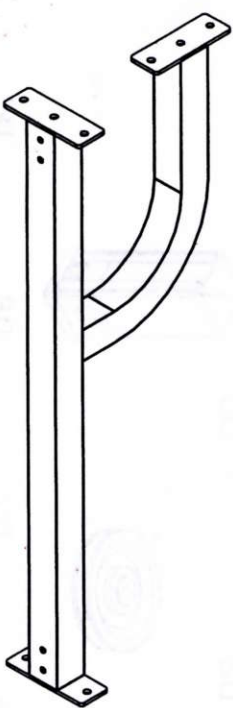
G [1PCS]



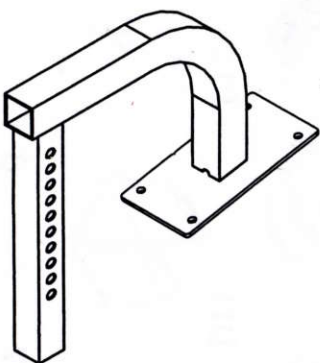
H [1PCS]



C [1PCS]



D-1 [1PCS]



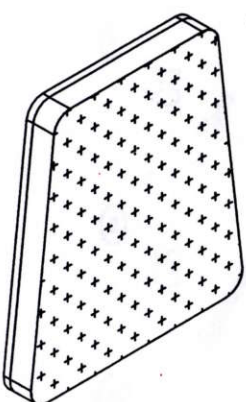
I [2PCS]



L [2PCS]



J [1PCS]



K [1PCS]

