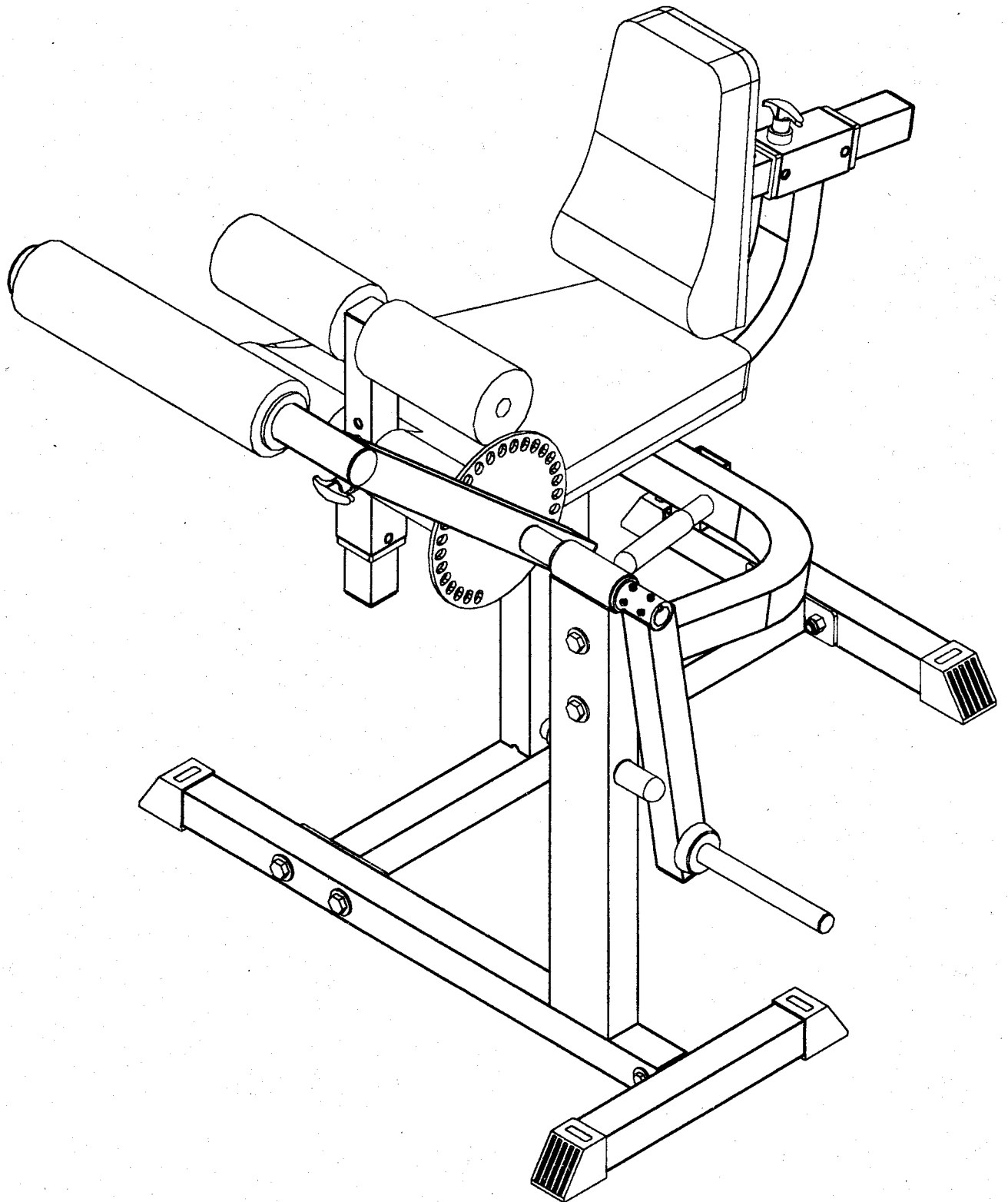
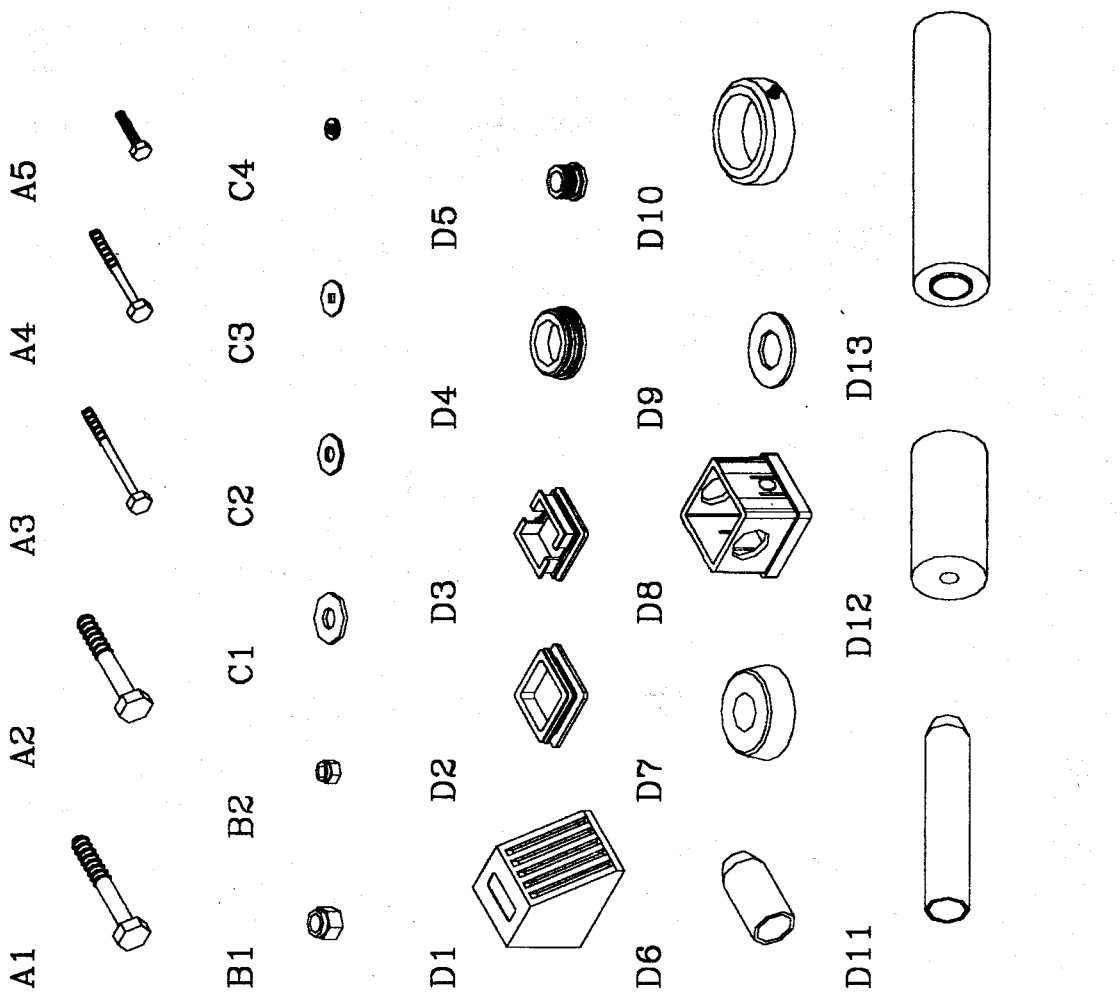


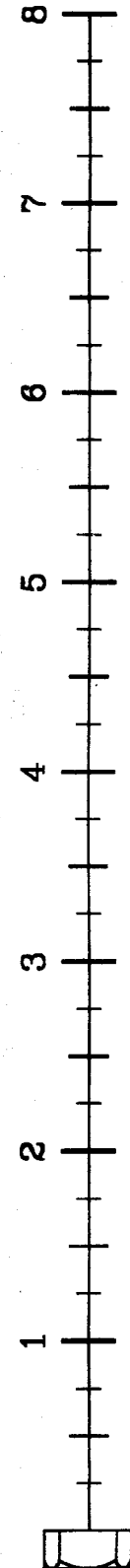
CEC-340A
LEG CURL



CEC-340A HARDWARE ILLUSTRATION SHEET

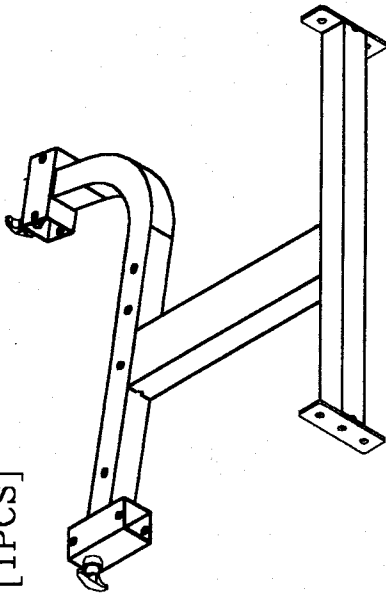


Qty.	A1	A2	A3	A4	A5	B1	B2	C1	C2	C3	C4	C5	D1	D2	D3	D4	D5	D6	D7	D8	D9	D10	D11	D12	D13
[2PCS]	A1. 1/2"X3 1/4" HEX HEAD BOLT																								
[6PCS]	A2. 1/2"X3" HEX HEAD BOLT																								
[2PCS]	A3. 3/8"X3 1/4" HEX HEAD BOLT																								
[1PCS]	A4. 3/8"X2 3/4" HEX HEAD BOLT																								
[8PCS]	A5. 5/16"X1 1/4" HEX HEAD BOLT																								
[8PCS]	B1. 1/2" NYLON LOCK NUT																								
[3PCS]	B2. 3/8" NYLON LOCK NUT																								
[6PCS]	C1. 1/2" (I.D)WASHER																								
[6PCS]	C2. 3/8" (I.D)WASHER																								
[8PCS]	C3. 5/16" (I.D)WASHER																								
[8PCS]	C4. 5/16" SPRING WASHER																								
[5PCS]	D1. 2"X2" FOOT CAP (E4010)																								
[1PCS]	D2. 2"X2" END CAP (E4001)																								
[4PCS]	D3. 1 3/4"X1 3/4" END CAP (E4002)																								
[2PCS]	D4. Ø48 ROUND END CAP (E4011)																								
[4PCS]	D5. Ø1" ROUND END CAP (E4012)																								
[1PCS]	D6. Ø31X65 ROUND END CAP (E4063)																								
[1PCS]	D7. Ø2 1/2" RUBBER DONUT (E2010)																								
[4PCS]	D8. 60X45 NYLON BUSHING (E4008)																								
[1PCS]	D9. Ø1" NYLON WASHER (E4015)																								
[1PCS]	D10. Ø2" SHAFT COLLAR (E10112)																								
[2PCS]	D11. Ø1"X6" RUBBER GRIP (E2001)																								
[2PCS]	D12. Ø4"X8" FOAM ROLLER (F4001)																								
[1PCS]	D13. Ø4"X16" FOAM ROLLER (F4036)																								

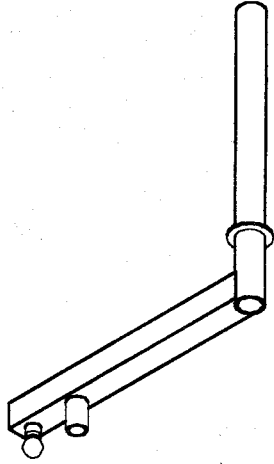


CEC-340A PARTS ILLUSTRATION SHEET

A [1PCS]



D [1PCS]



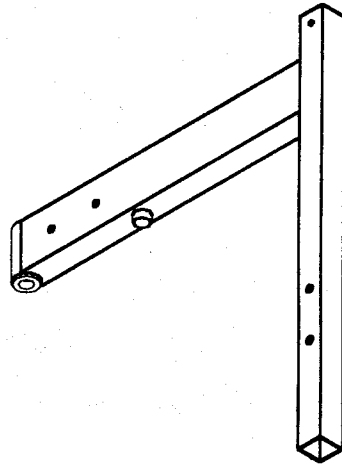
H [1PCS]



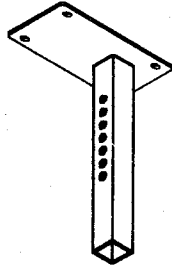
I [1PCS]



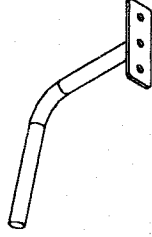
B [1PCS]



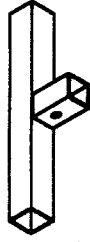
E [1PCS]



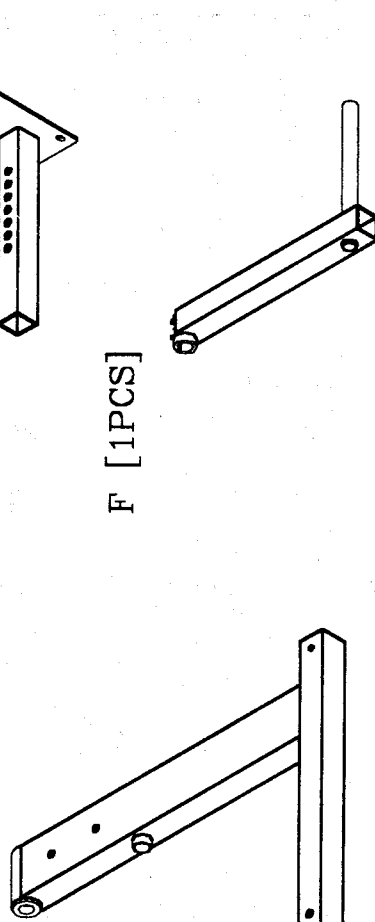
J [1PCS]



K [1PCS]



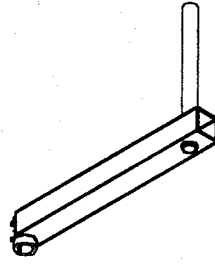
C [1PCS]



P [1PCS]



F [1PCS]



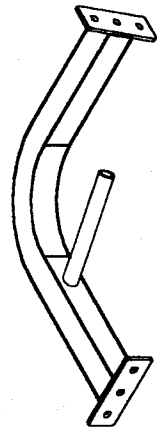
L [1PCS]



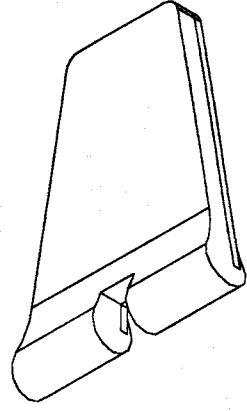
M [4PCS]



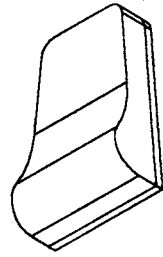
C [1PCS]



N [1PCS]



O [1PCS]



G [1PCS]

